

This file has been cleaned of potential threats.

If you confirm that the file is coming from a trusted source, you can send the following SHA-256 hash value to your admin for the original file.

361002e091900f6090aa4d6911f46841a8a0762c8055bfb0d86e728d76d5a99

To view the reconstructed contents, please SCROLL DOWN to next page.

THROTTLE CONTROL VALVE RR 931



CONTROL VALVE

- Precise and stable operation
- Unidirectional sealing
- High reaction speed
- Low noise
- High reliability
- Easy maintenance
- Low overall size

Intended use:

- natural gas piping
- LPG installations
- industrial processes for controlling the fluids

Technical characteristics

Valve model	RR 931
Nominal pressure [bar]	PN 16; PN 25; PN 40; PN 64; PN 100
Pressure Class	ANSI 150; ANSI 300; ANSI 400; ANSI 600
Diameter of inlet – outlet connections	Equal flanges: DN 25 ÷ DN 400
Working medium	- Natural gases - LPG and other non-corrosive fluids compatible with valve materials
Ambient temperature [°C]	-30 ÷ 80 °C (optionally, -50 ÷ 80 °C)
Working medium temperature [°C]	-20 ÷ 60 °C (optionally, -50 ÷ 80 °C)
Actuator type	Manual or pneumatic

Reference standards:

The RR 931 control valves are designed and manufactured in accordance with the following international standards:

Materials	ASTM, AISI, EN	
Face-to-face dimension	EN 558-1; ISO 5752; API 609	
Connecting flange	EN 1092; ASME/ANSI B 16. 5; other standards, upon request	
Testing	- body resistance	EN 12266; API 598; EN 60534-4; other standards, upon request
	- seat tightness	

- **European directive:**

Our valves are designed to meet the safety requirements of *Pressure Equipment Directive* (PED) 97/23/CE.

Materials

No.	Part	Material
1	Body	Cast carbon steel
2	Seat	Stainless steel
3	Stem	Stainless steel
4	Tapped cap	Carbon steel
5	Piston	Stainless steel
6	Piston guide	Stainless steel
8	Inspection cover	Carbon steel
9	Connecting piece	Carbon steel
10	Handwheel	Carbon steel

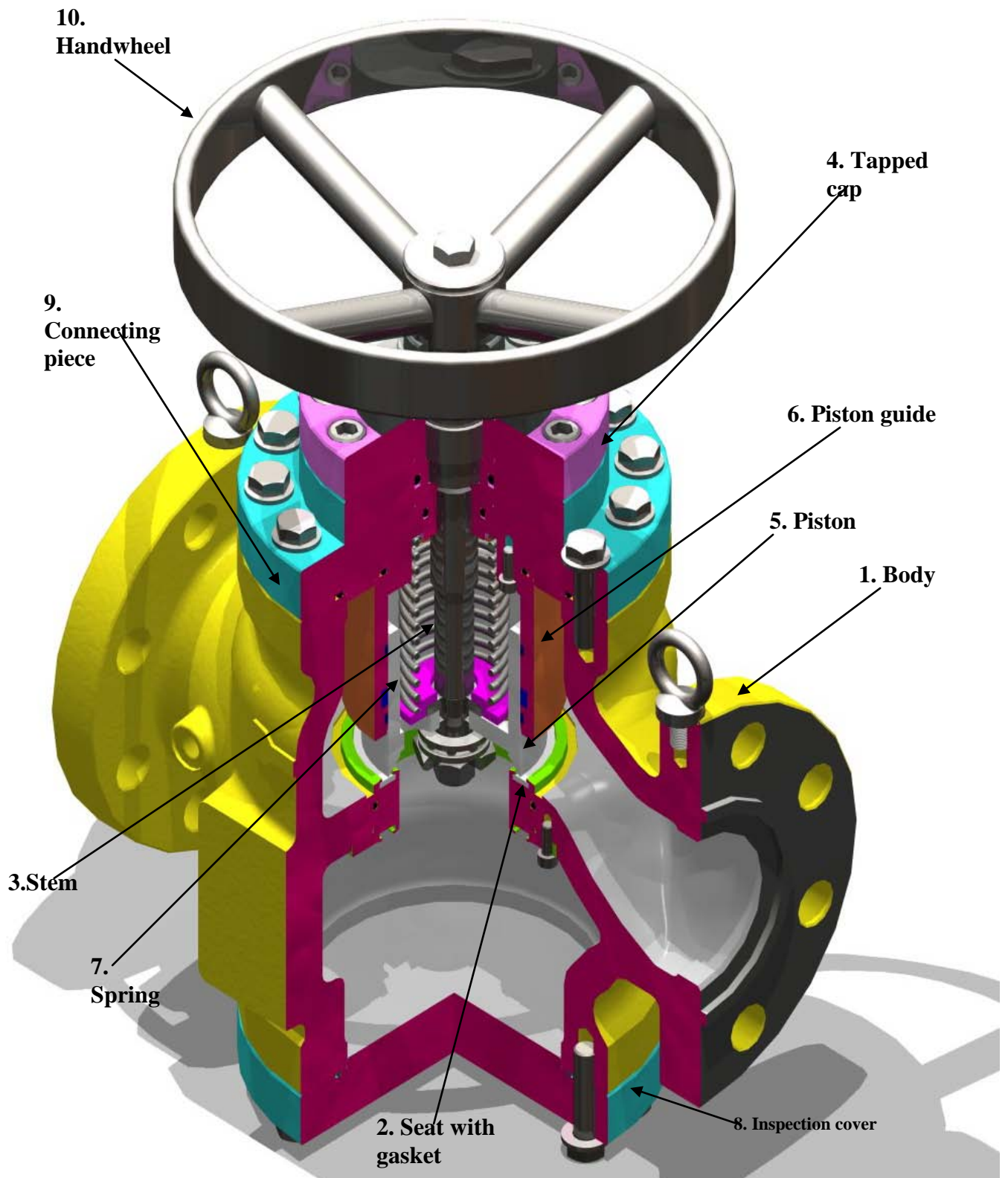


Figure 1 - Component parts of RR 931 control valve

Overall dimensions of RR 931 control valve

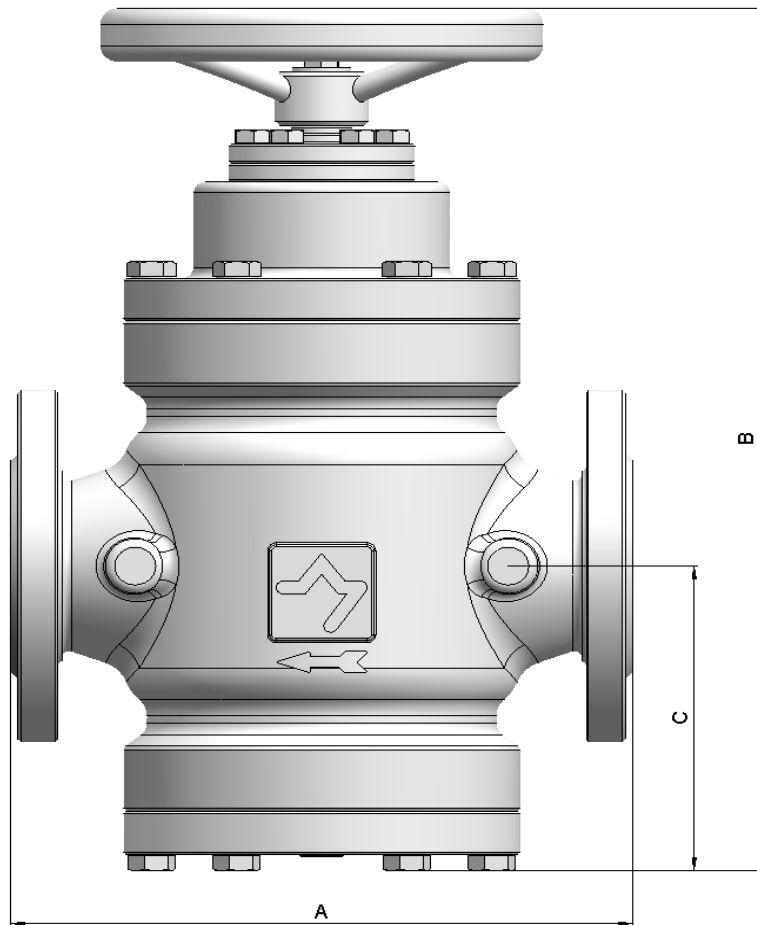


Figure 2

Nominal diameter DN	PN 16; PN 25 Class 150			PN 40 Class 300			PN 64; PN 100 Class 400; Class 600		
	A	B	C	A	B	C	A	B	C
	[mm]	[mm]	[mm]	[mm]	[mm]	[mm]	[mm]	[mm]	[mm]
25	184	278	125	197	298	127	210	318	134
40	222	336	140	232	351	142	246	372	150
50	254	384	155	267	404	158	286	433	170
80	298	451	200	317	479	204	336	491	212
100	352	533	210	368	557	215	394	596	225
150	451	682	230	473	716	235	508	767	250
200	543	822	275	568	859	281	609	921	298
250	673	1018	350	708	1071	362	752	1138	382
300	737	1115	382	770	1165	396	804	1217	405
400	1016	1237	495	-	-	-	-	-	-

Ordering code

1	2	3	4	5	6	7
Model	Size	Nominal pressure	Body material	Connecting flange	Actuator	Special requirements
CT	025 050 065 080 100 125 150 200 250 300 400	16 25 40 64 100	G W	A B C D E	M P EL	0 1
1. Model CT – cast body		3. Nominal pressure 16 – PN 16 25 – PN 25 40 – PN 40 64 – PN 64 100 – PN 100 CI 150 - ANSI 150 CI 300 - ANSI 300 CI 400 - ANSI 400 CI 600 - ANSI 600		5. Connecting flange A – EN B – BS C – ISO D – ASME/ANSI		
2. Size 025 – DN 25 050 – DN 50 065 – DN 65 080 – DN 80 100 – DN 100 125 – DN 125 150 – DN 150 200 – DN 200 250 – DN 250 300 – DN 300 400 – DN 400		4. Body material G – GGG40 W – WCB		6. Actuator M – Manual P – Pneumatic actuator EL – Electric actuator		
EXAMPLE:						
CT	080	16	W	A	M	0

Example:

RR 931 M_080_16_W_A_0 valve = control valve, cast body, DN 80, PN 16, WCB steel body, stainless steel valve, EN flange, manually operated, no special requirements.

Additional requirements, if any, must be specified when placing the order.

The manufacturer reserves the right to make modifications without any prior notification.

CT No. 225 / 2009

TOTALGAZ INDUSTRIE

Nr. R.C.: J-22-3277/1994
CUI: RO6658553
IBAN: RO28BRDE240SV13842272400
B.R.D. G.S.G. Iași

Șos. Păcurari, nr. 128,
Iași, cod 700545, România
Tel. : 0040-232-216.391(2)
Fax : 0040-232-215.983
E-mail: office@totalgaz.ro
Web: www.totalgaz.ro

